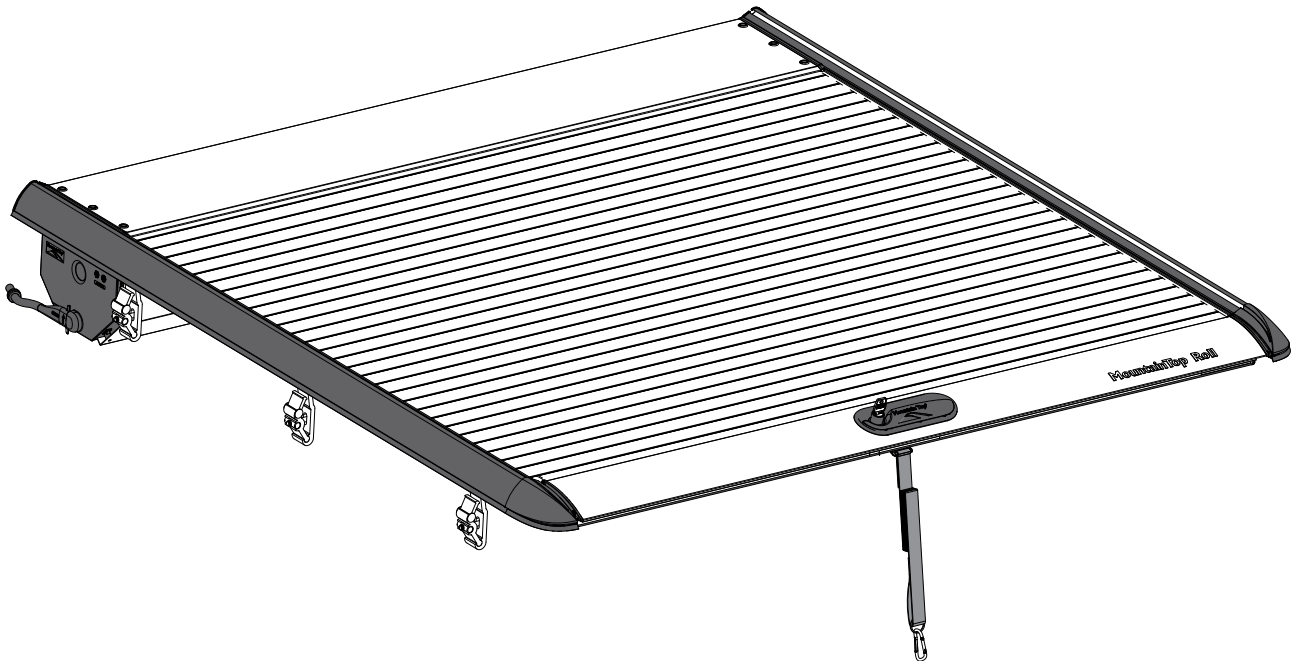


Mountain Top Roll with Tailgate hook
Installation Instructions



Model Year:	TOYOTA	2005 T/D:
	FORD	2011 T/D
	ISUZU	2012 T/D
	MAZDA BT50	2010 T/D

Part Number:	MTR TO80 L01	Double cab
	MTR TO81 L01	Extra cab
	MTR FO90 L01 / MTRA FO90 L51	Double cab
	MTR FO91 L01 / MTRA FO91 L51	Super cab

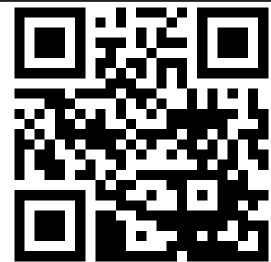


Weight: 31 / 36 kg.



Installation Time: 2 hr.

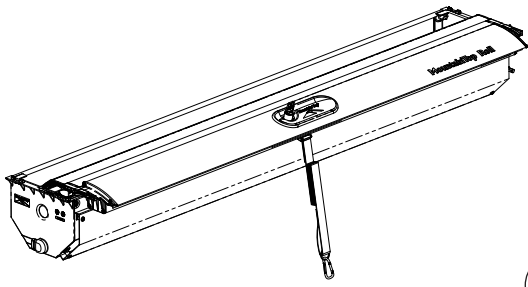
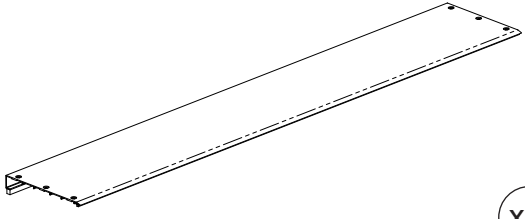
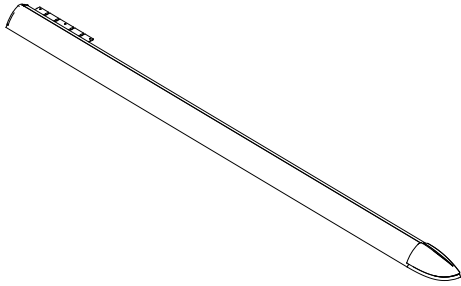
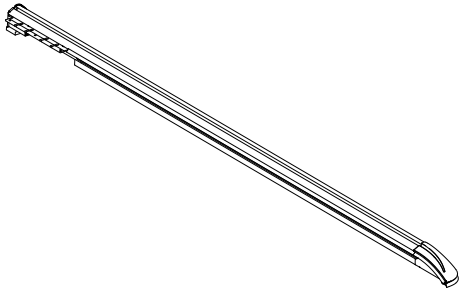
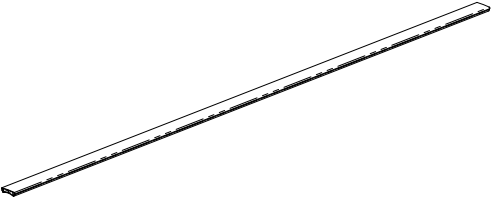
Video Installation intruction


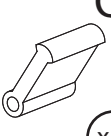

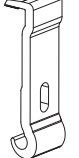

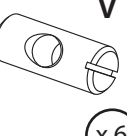
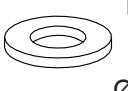

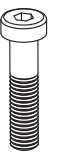
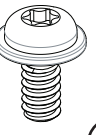



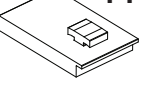

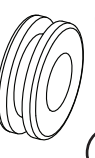
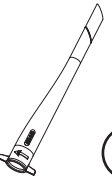

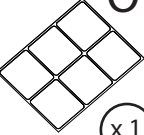
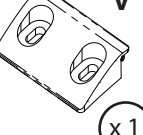



<http://youtu.be/2yM2hbplCdg>

Mountain Top Roll with Tailgate hook
Installation Instructions



 <p>A</p> <p>(x 1)</p>	 <p>B</p> <p>(x 1)</p>
 <p>C</p> <p>(x 1)</p>	 <p>D</p> <p>(x 1)</p>
 <p>E</p> <p>(x 1)</p>	

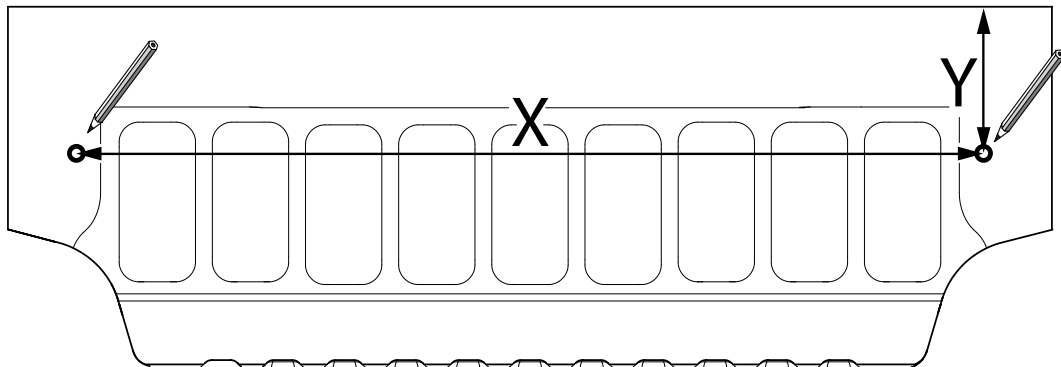
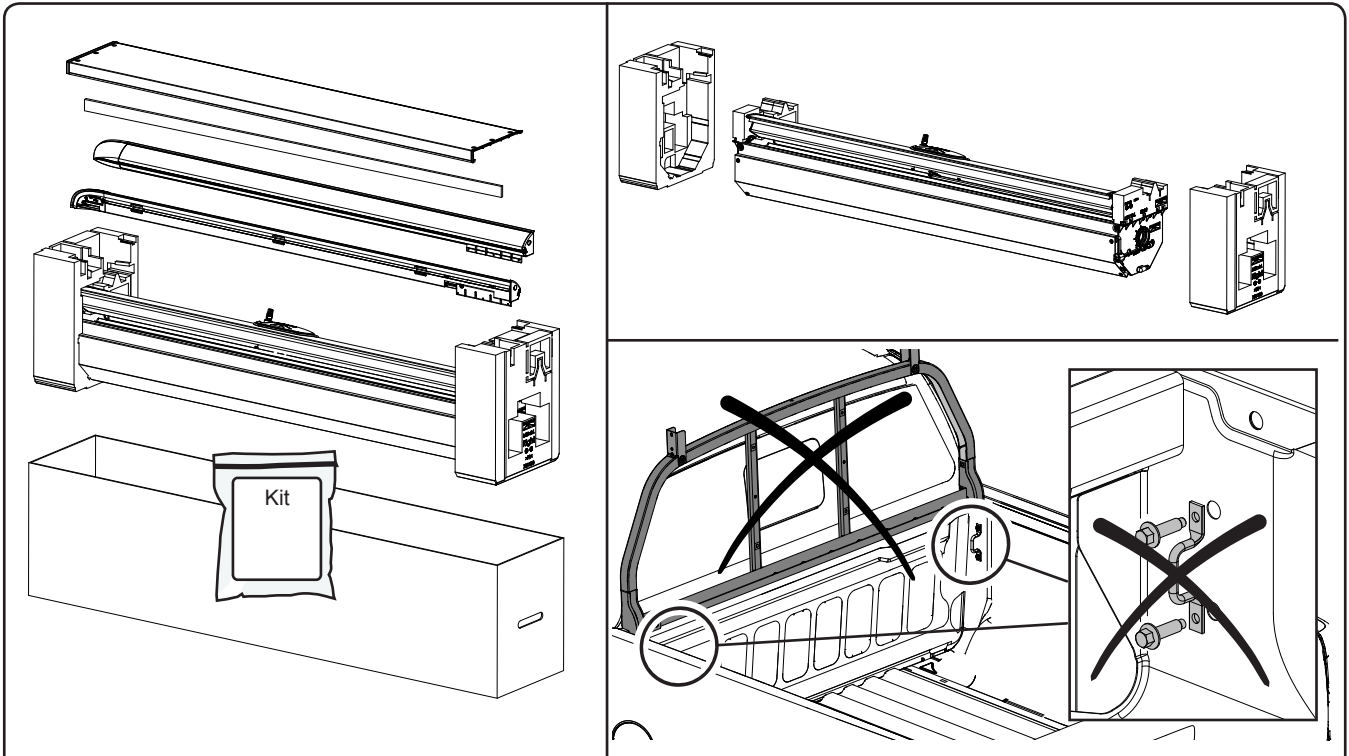
 <p>Kit</p>	 <p>Q</p> <p>(x 6)</p>	 <p>R</p> <p>(x 6)</p>	 <p>S</p> <p>(x 6)</p>	 <p>P</p> <p>(x 12)</p>	 <p>V</p> <p>(x 6)</p>	 <p>T</p> <p>Ø6</p> <p>(x 6)</p>
 <p>Installation Manual</p> <p>(x 1)</p>	 <p>U</p> <p>(x 6)</p>	 <p>I</p> <p>M6x12</p> <p>(x 4)</p>	 <p>M</p> <p>(x 6)</p>	 <p>L</p> <p>M5x6</p> <p>(x 6)</p>	 <p>K</p> <p>(x 6)</p>	 <p>H</p> <p>(x 2)</p>
 <p>TUV</p> <p>(x 1)</p>	 <p>G</p> <p>(x 2)</p>	 <p>J</p> <p>(x 2)</p>	 <p>N</p> <p>(x 2)</p>	 <p>O</p> <p>(x 1)</p>	 <p>V</p> <p>(x 1)</p>	 <p>W</p> <p>(x 2)</p>

Mountain Top Roll with Tailgate hook
Installation Instructions



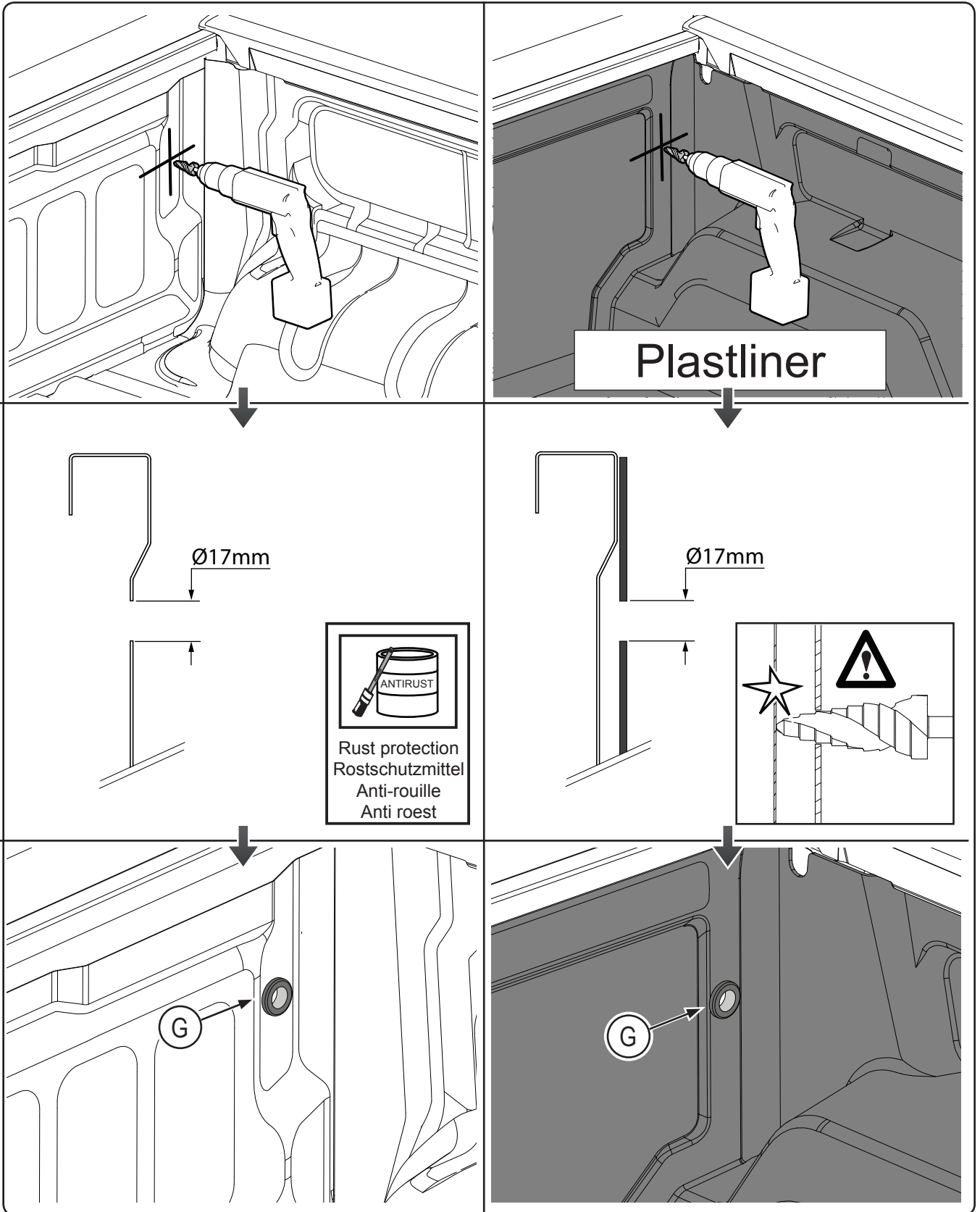
	Ø3,5mm		ANTRIRUST Rust protection Rostschutzmittel Anti-rouille Anti roest	LOCTITE 243
 PZ2 5mm T15, T30	H ₂ O	 1-25Nm PZ2 8, 10mm T15, T30		

Mountain Top Roll with Tailgate hook
Installation Instructions

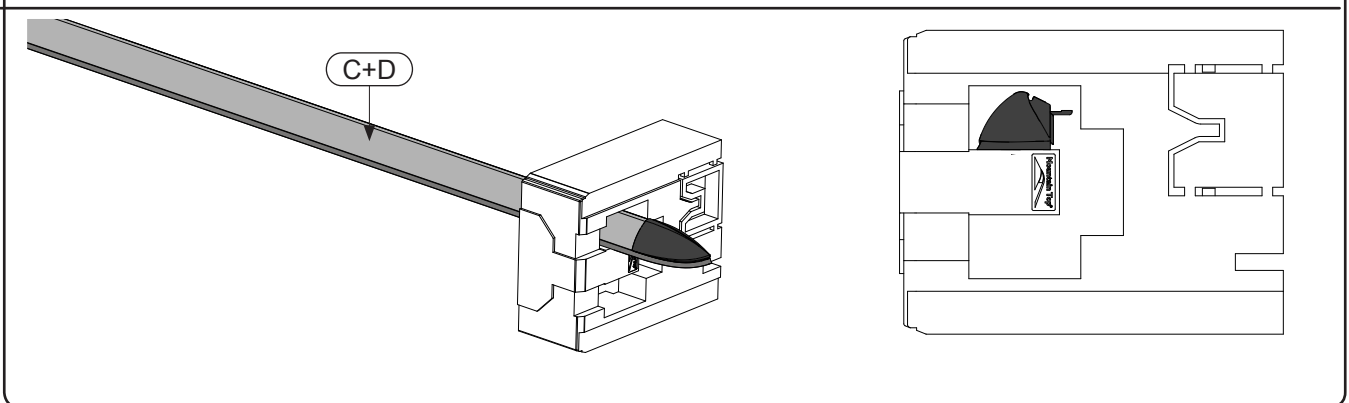
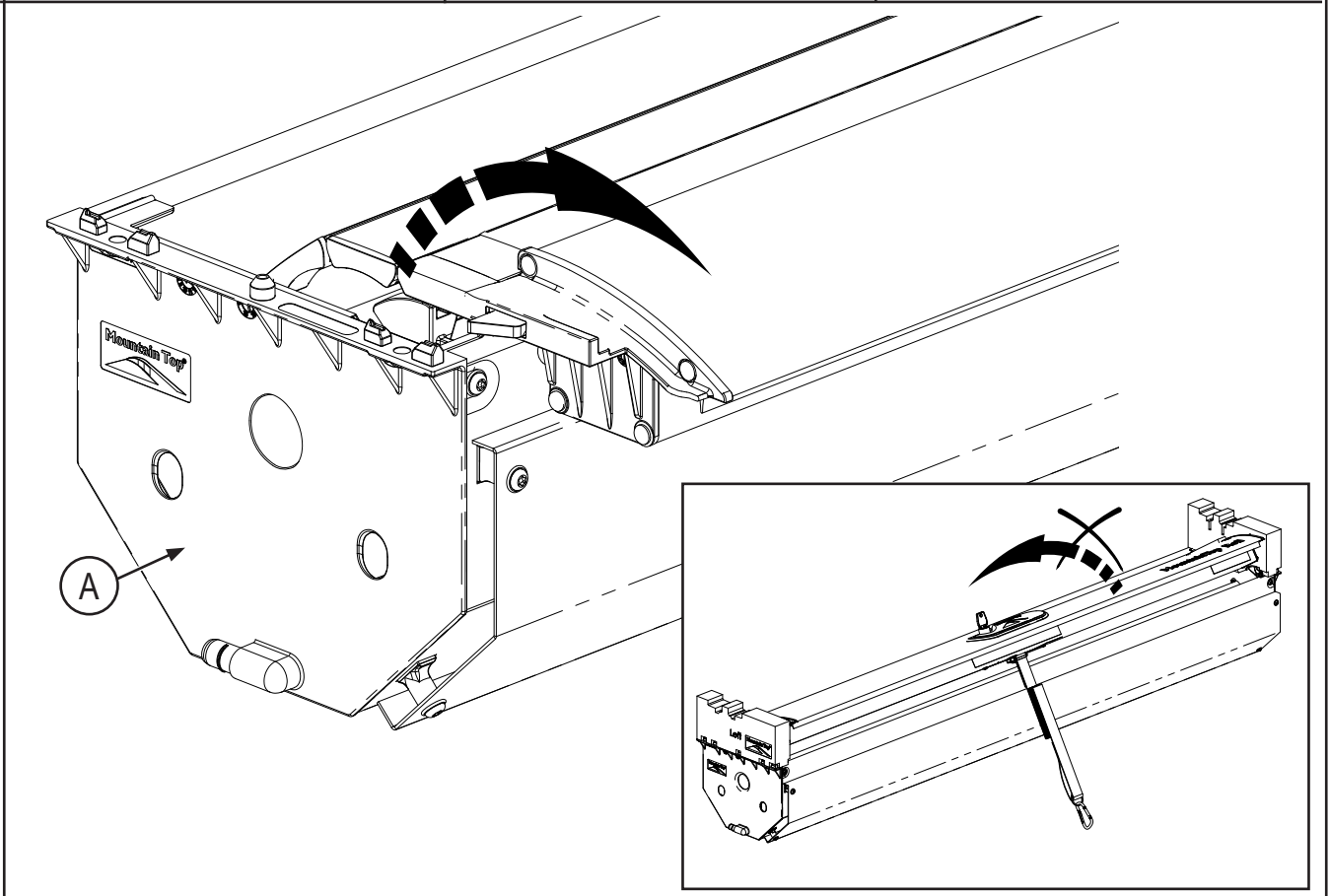
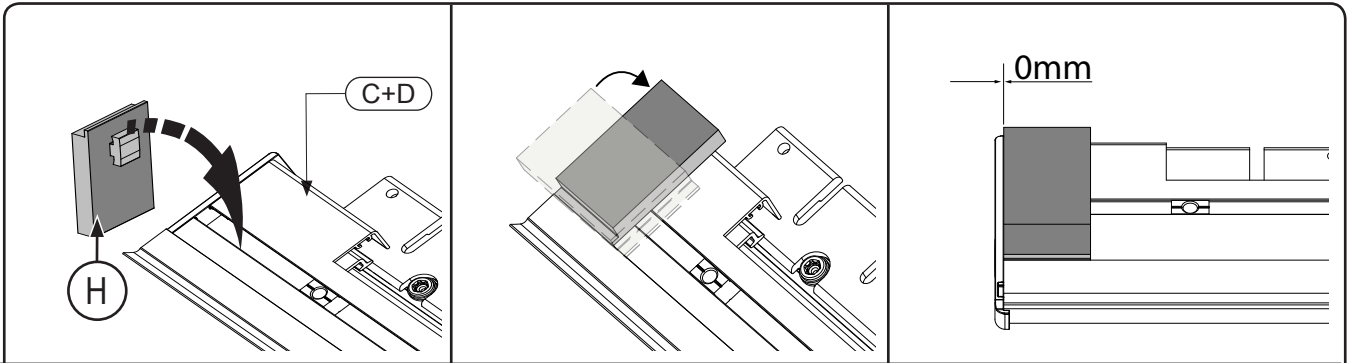


	Plain bed	
	X	Y
TOYOTA	1421	180
ISUZU	1456	190
FORD	1460	208

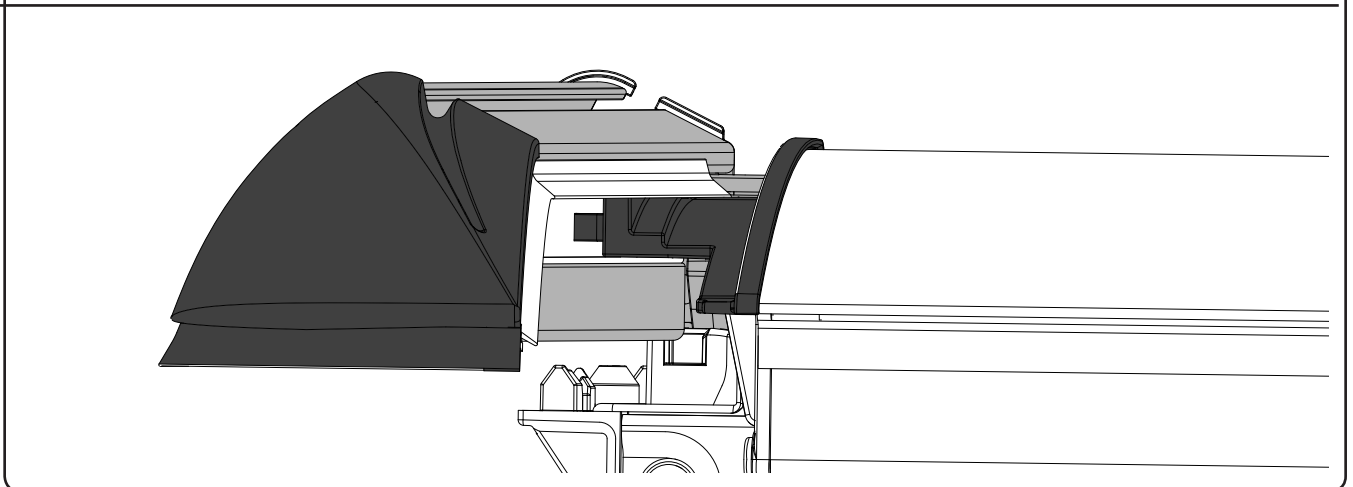
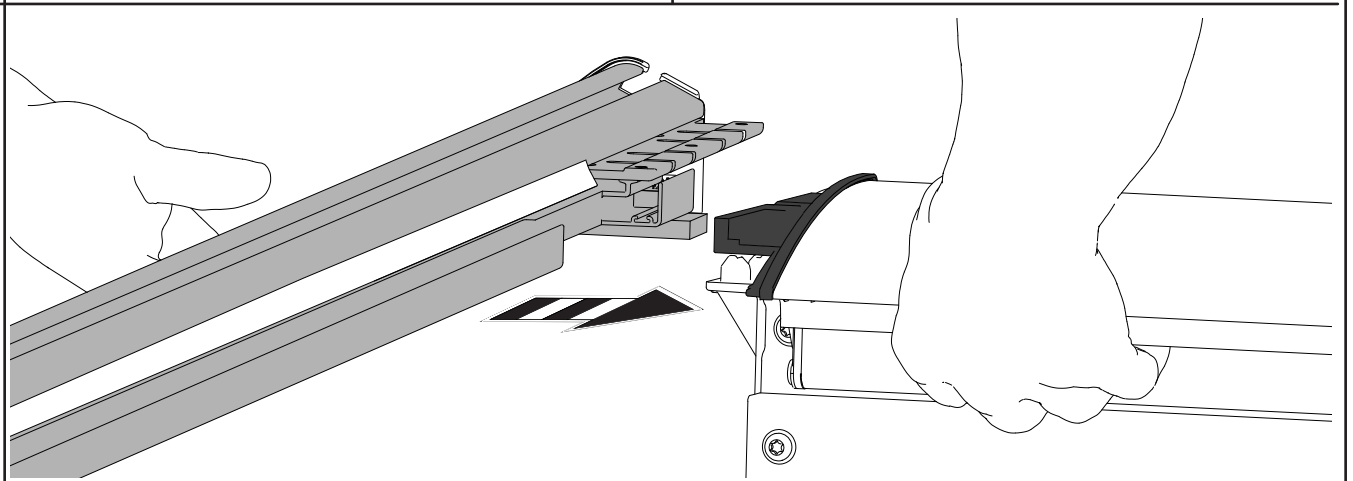
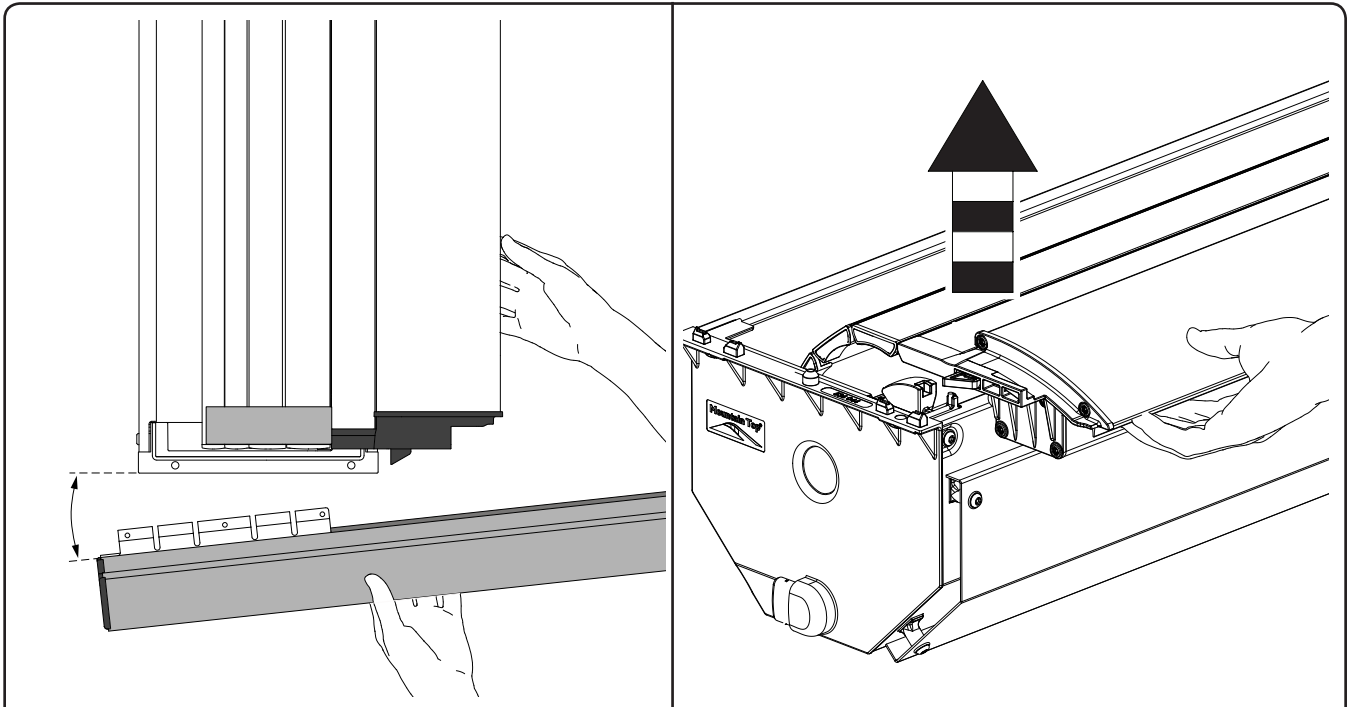
Mountain Top Roll with Tailgate hook
Installation Instructions



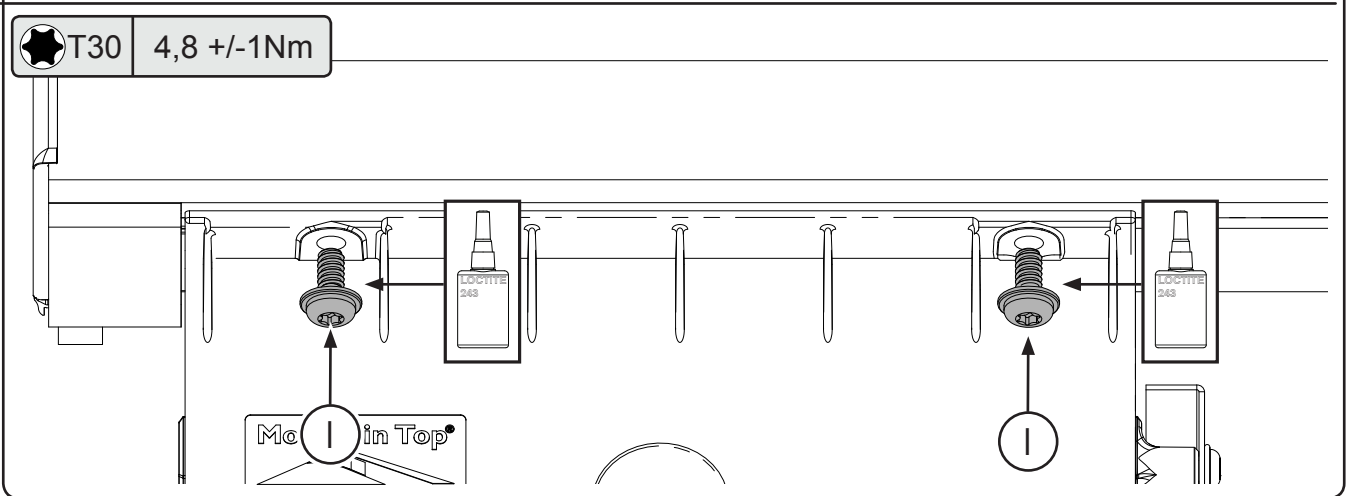
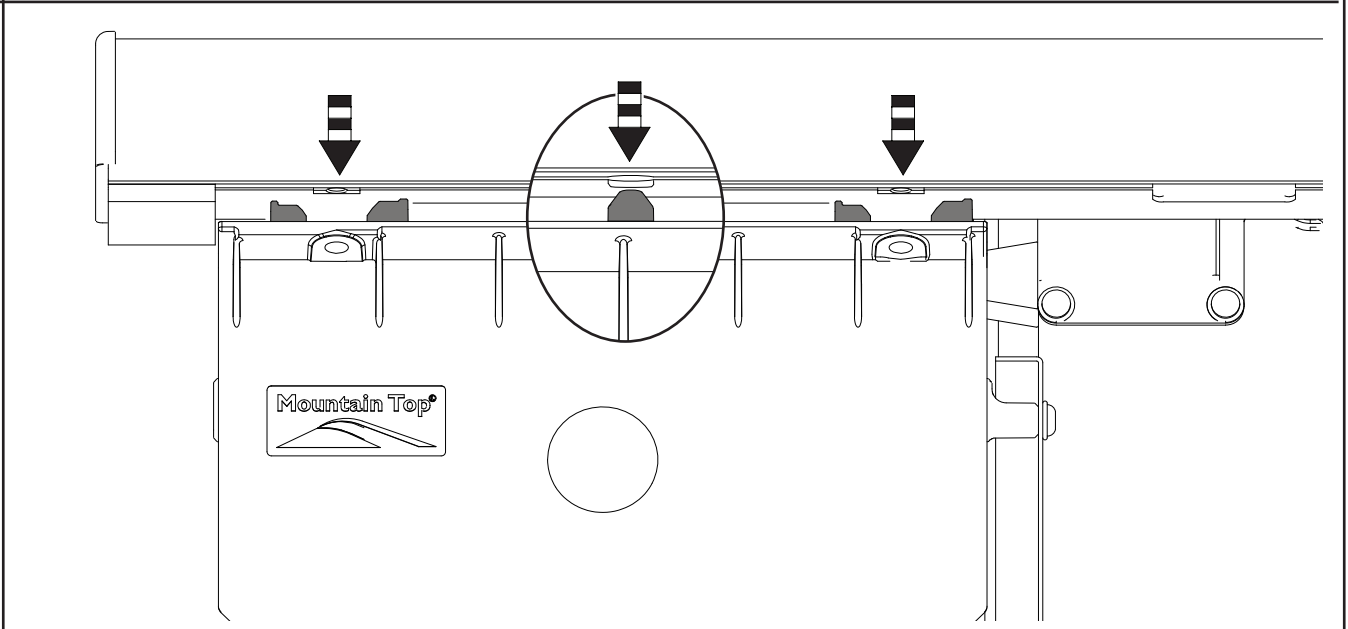
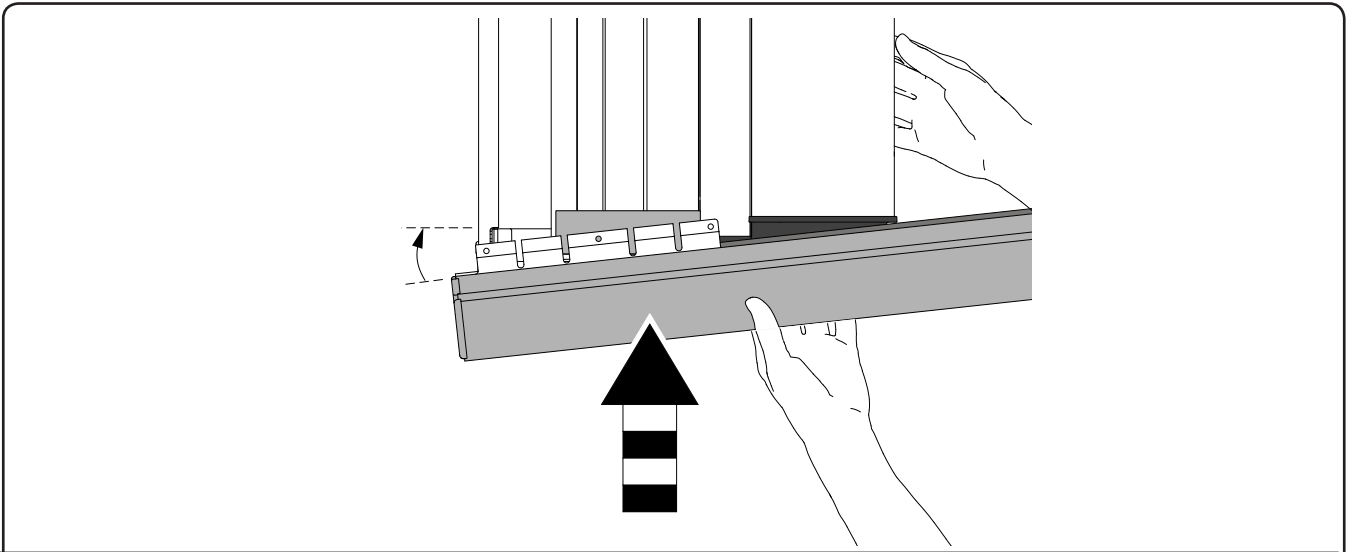
Mountain Top Roll with Tailgate hook
Installation Instructions



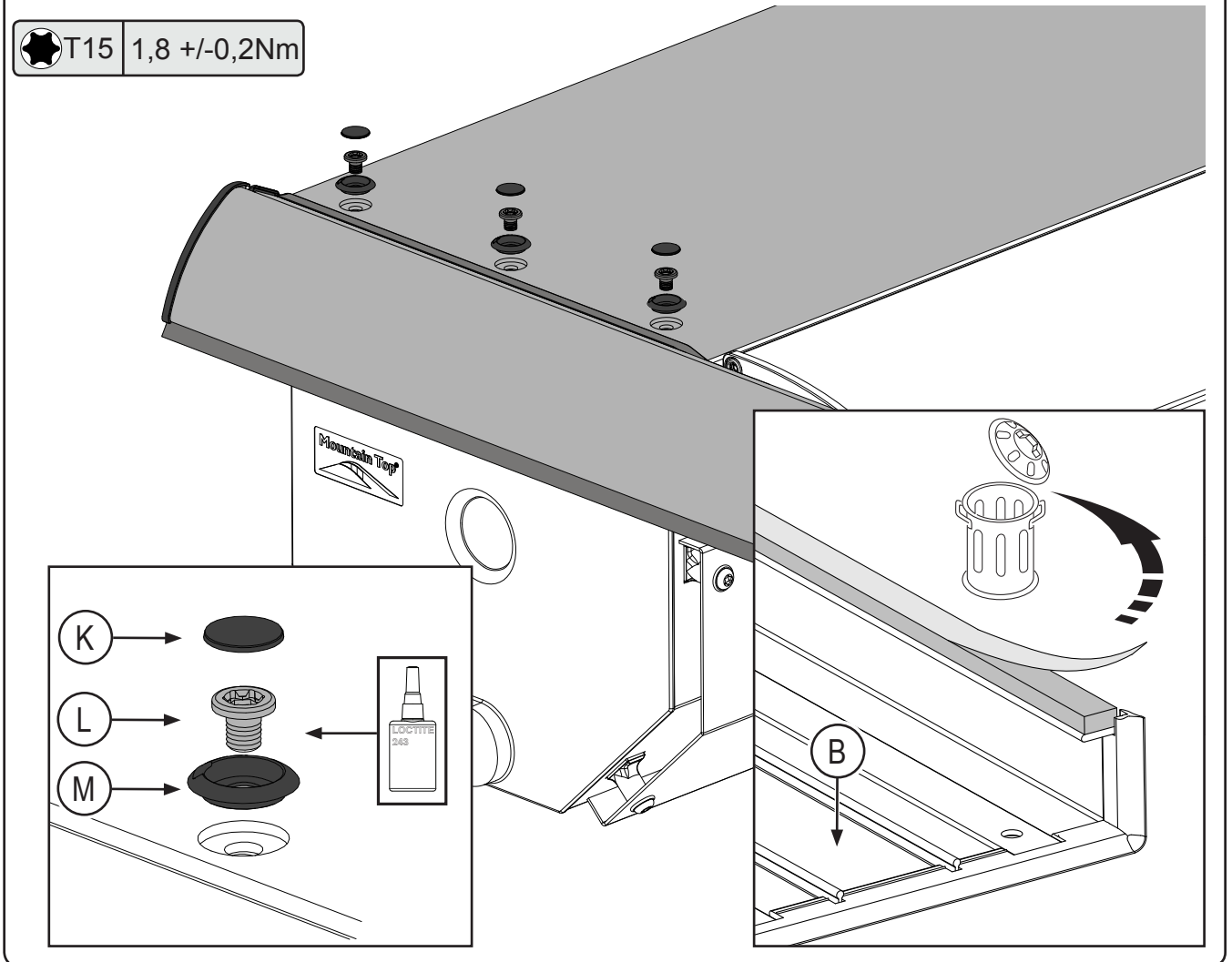
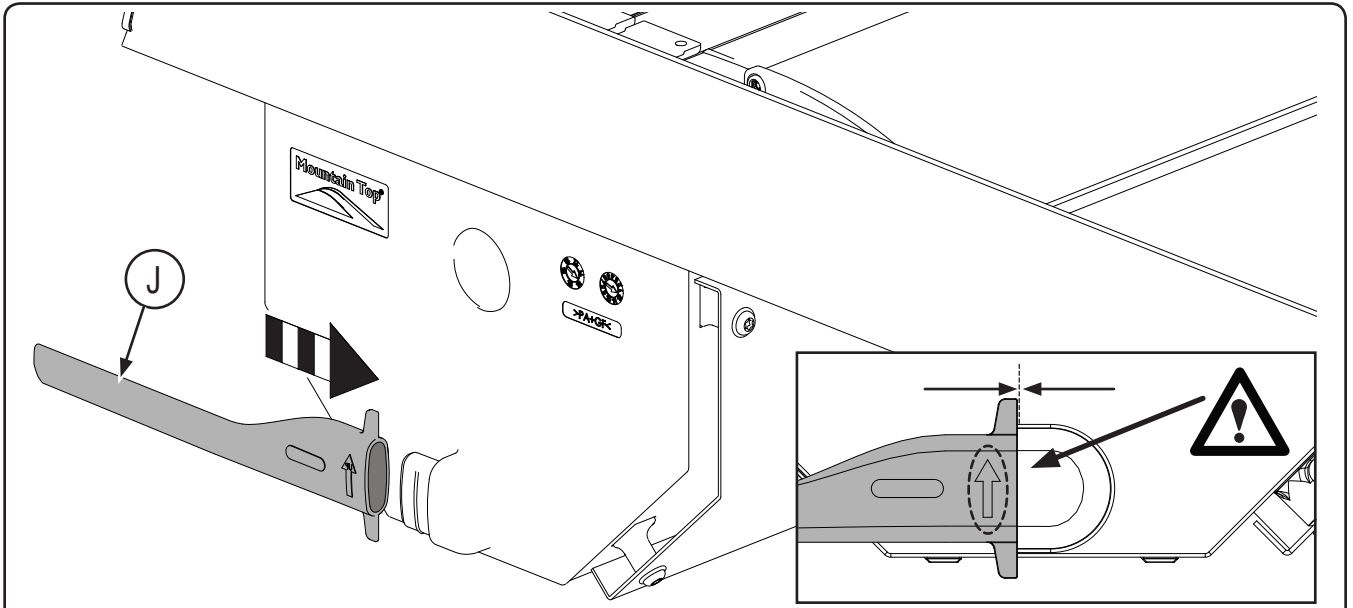
Mountain Top Roll with Tailgate hook
Installation Instructions



Mountain Top Roll with Tailgate hook
Installation Instructions

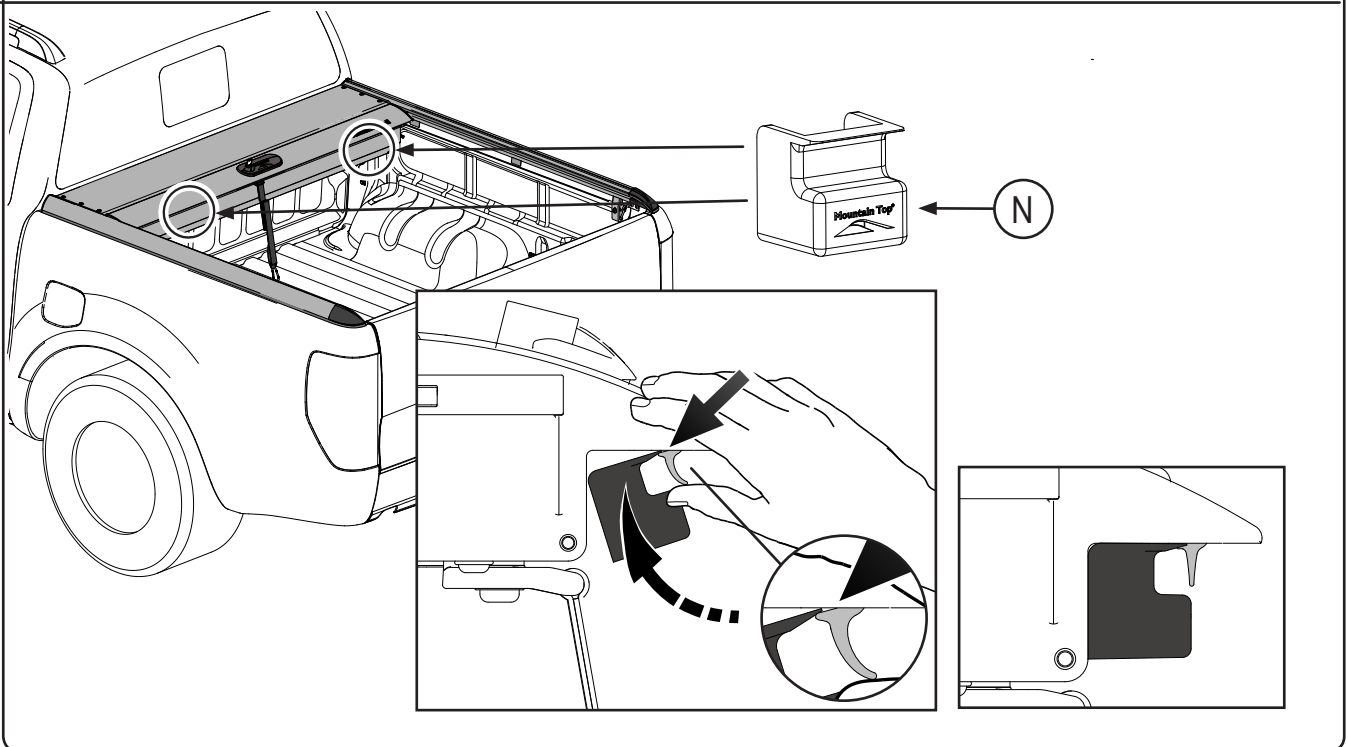
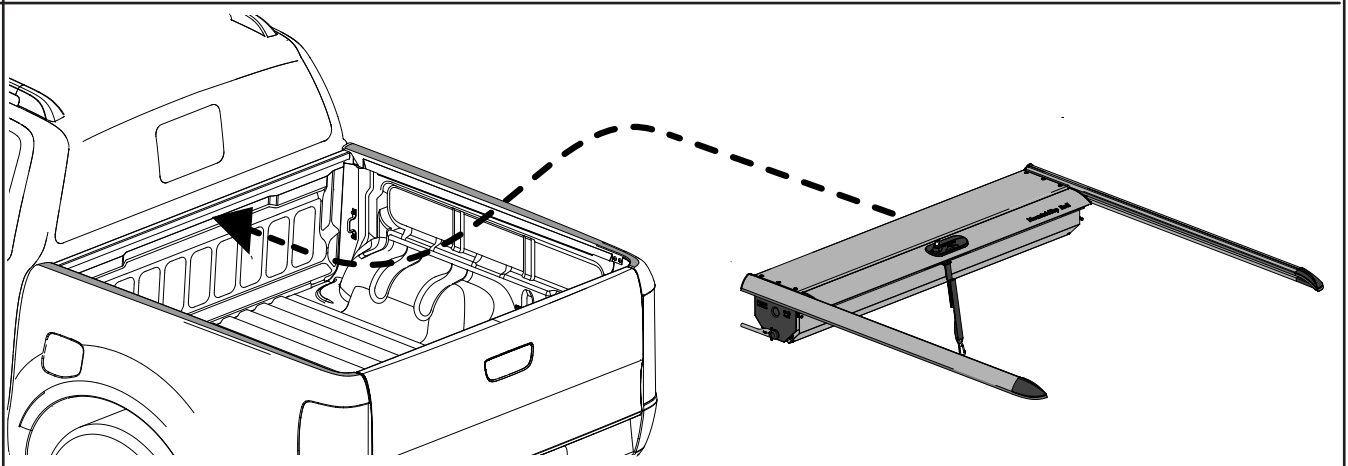
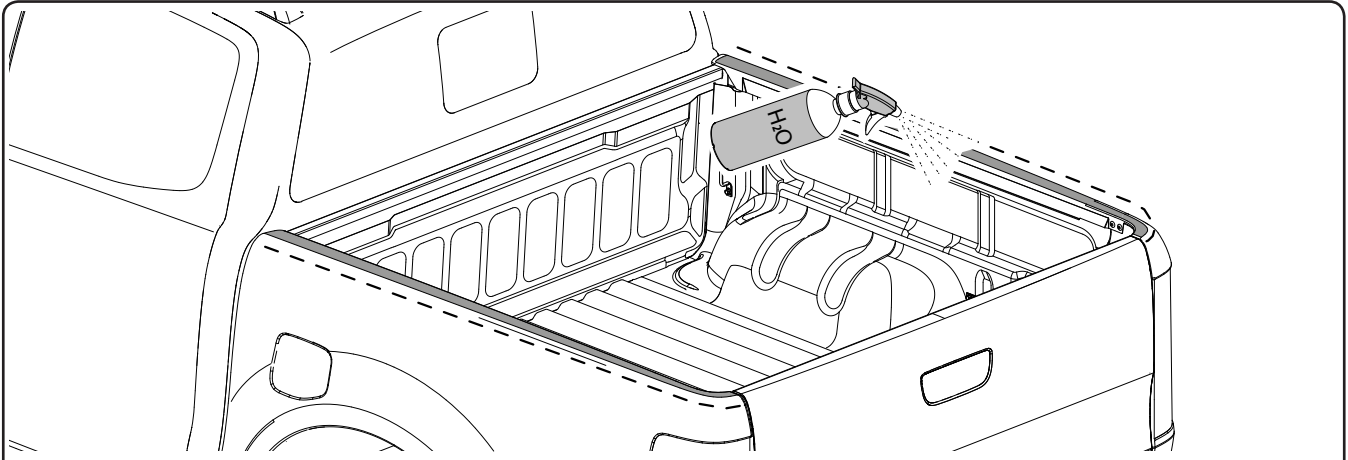


Mountain Top Roll with Tailgate hook
Installation Instructions

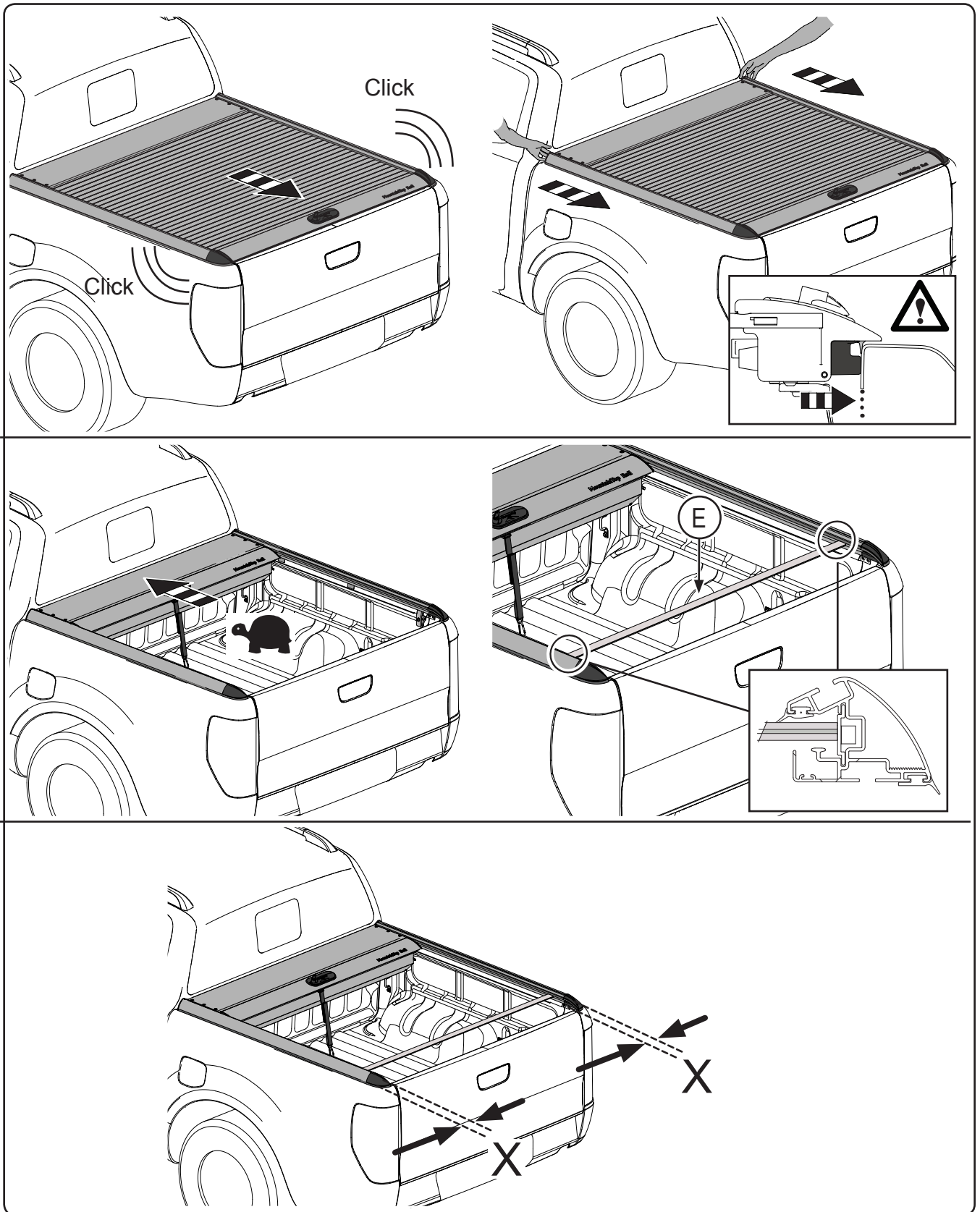


T15 1,8 +/-0,2Nm

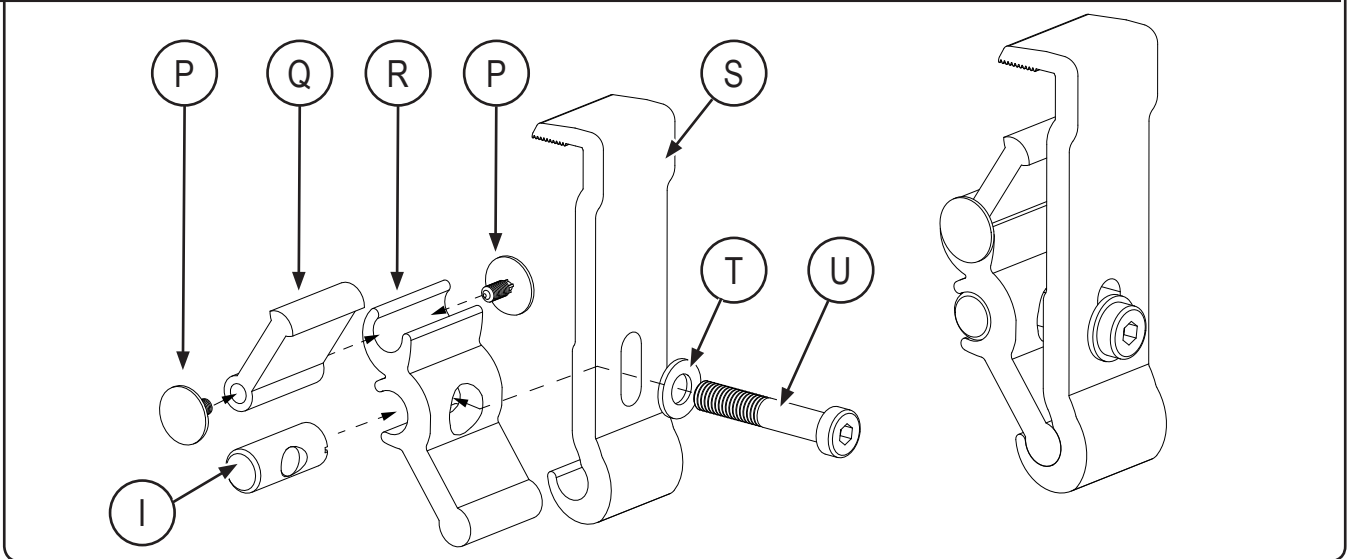
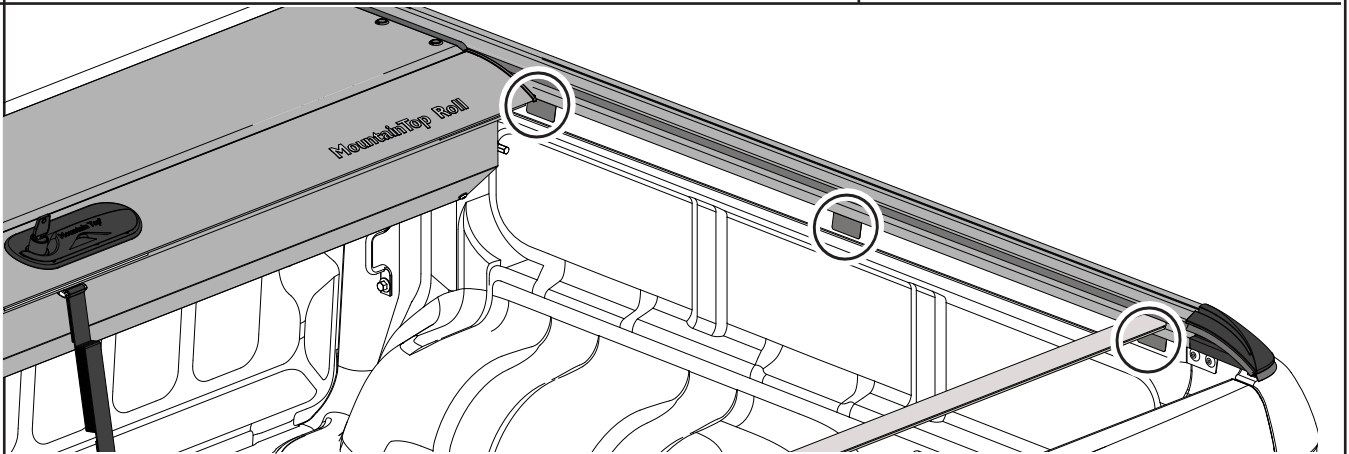
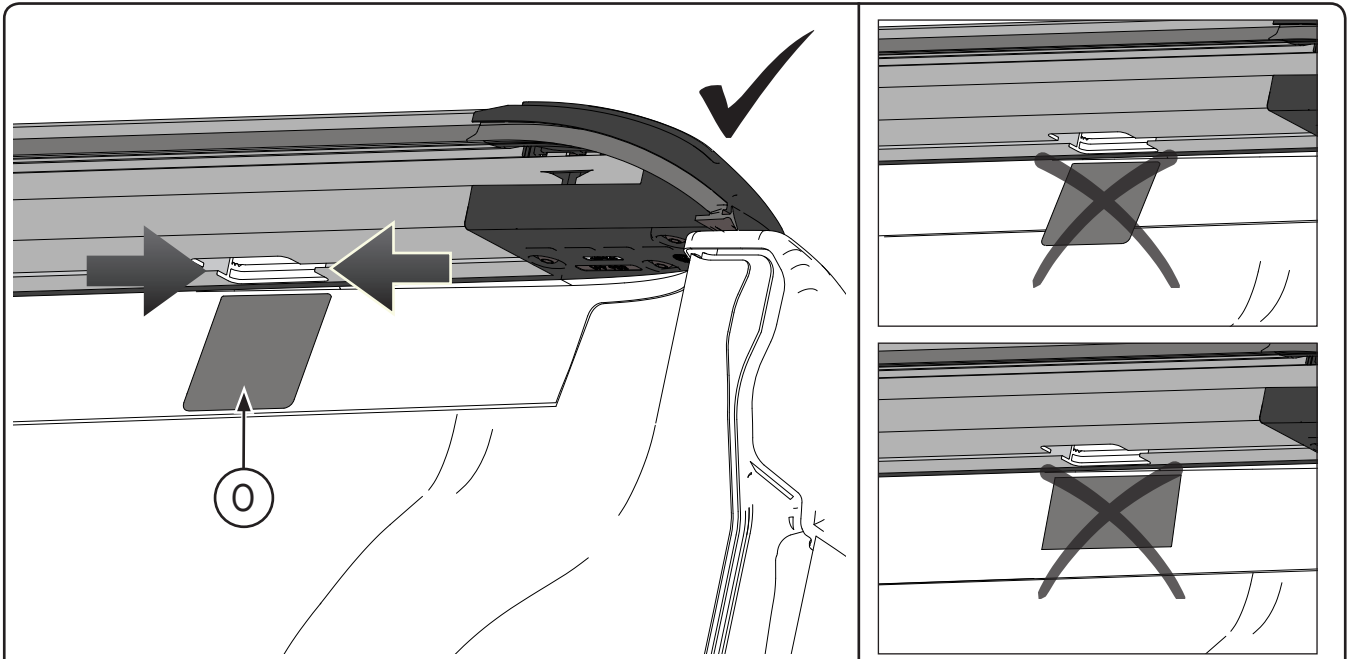
Mountain Top Roll with Tailgate hook
Installation Instructions



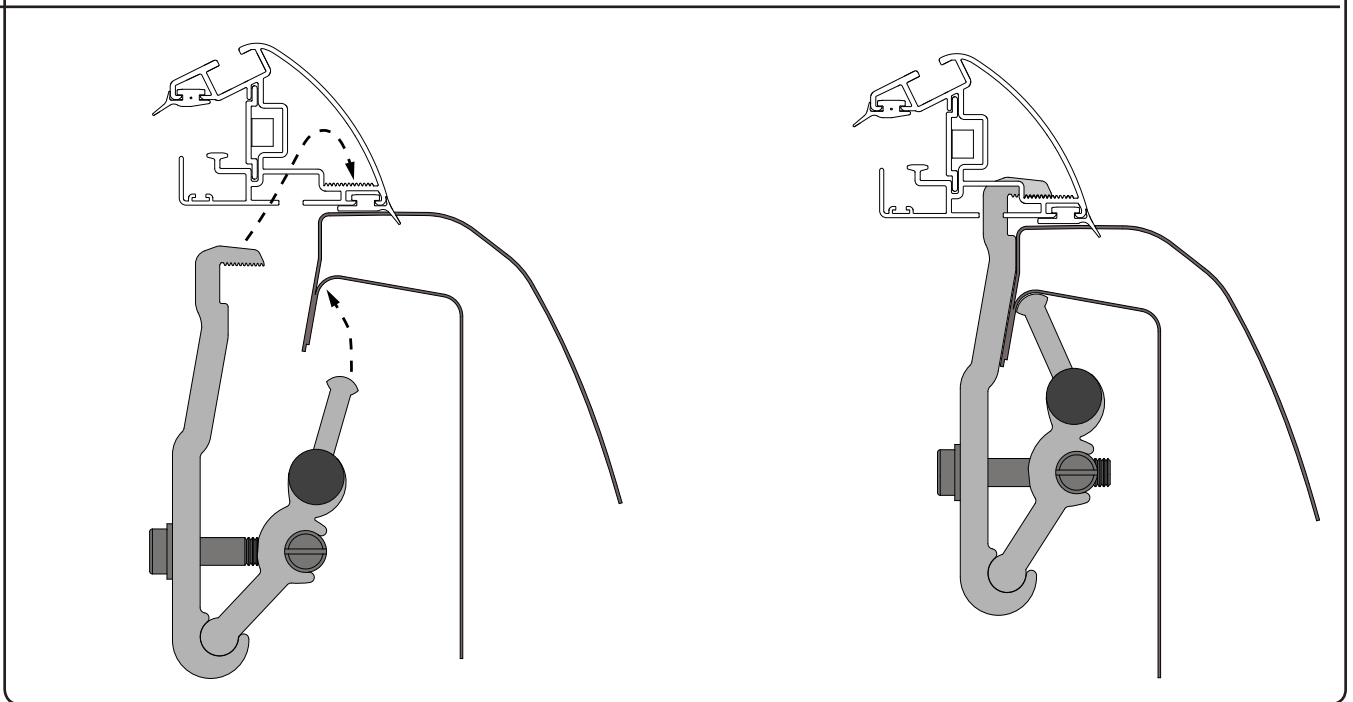
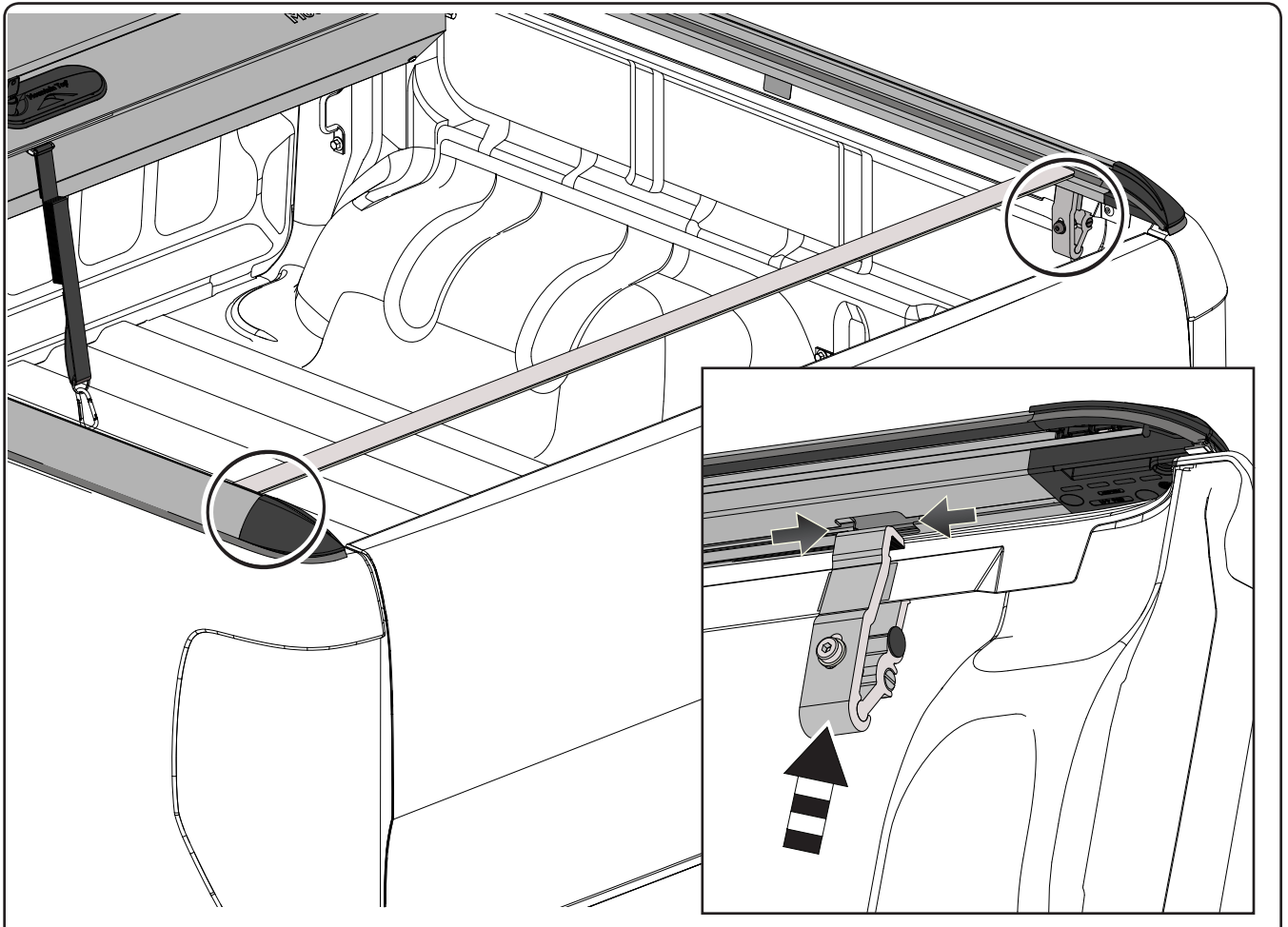
Mountain Top Roll with Tailgate hook
Installation Instructions



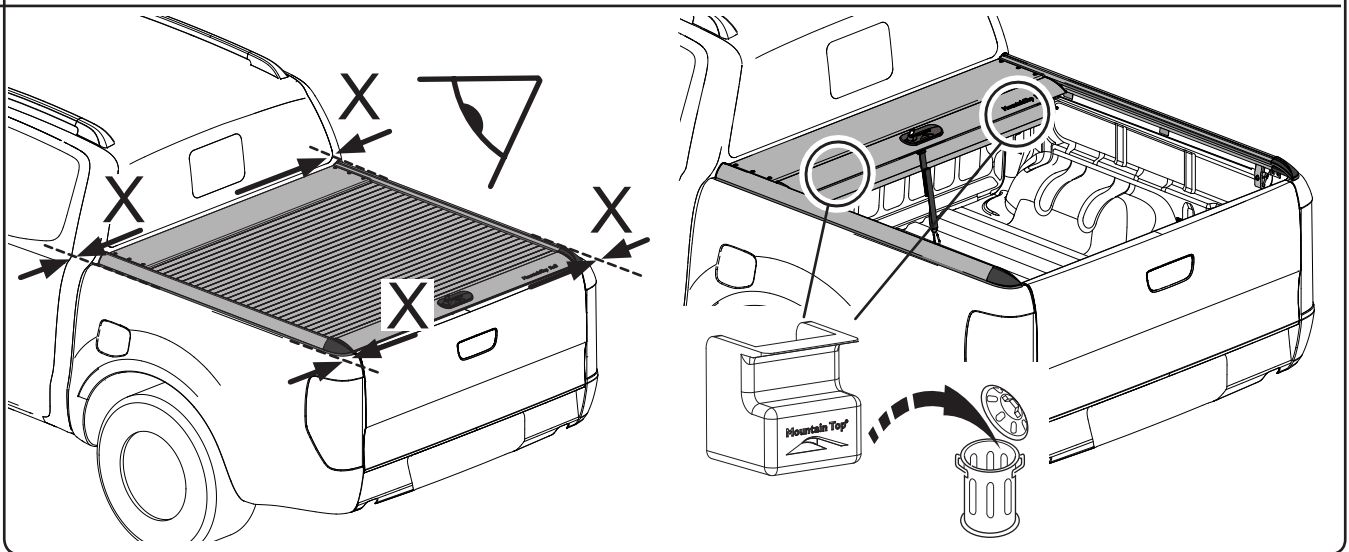
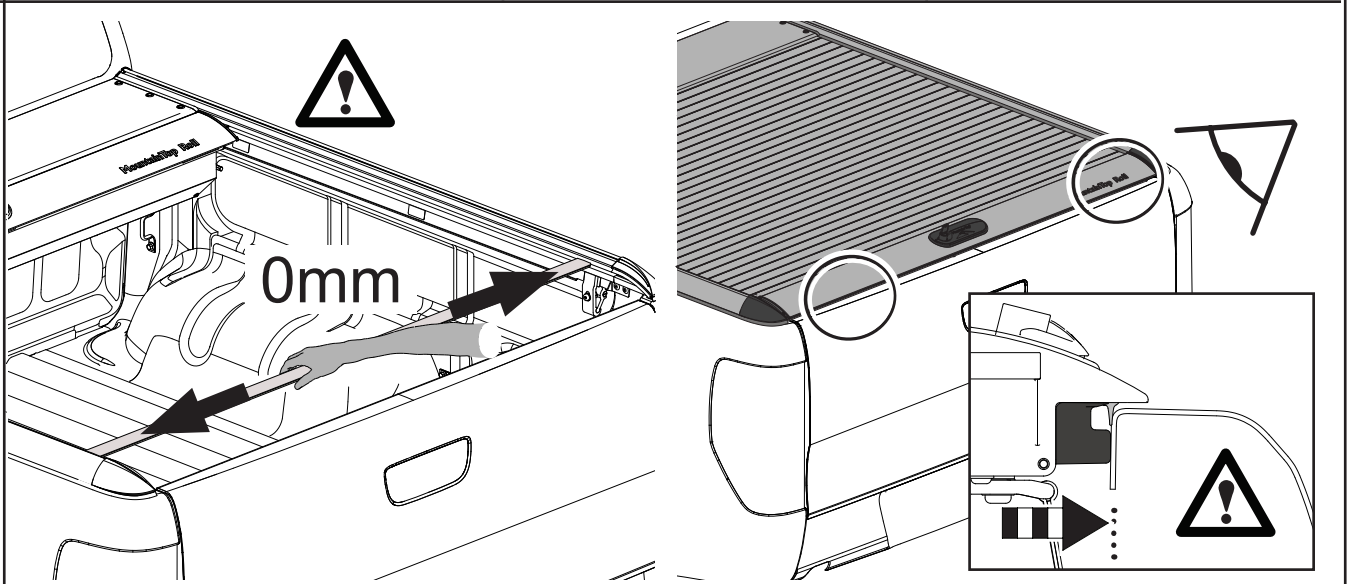
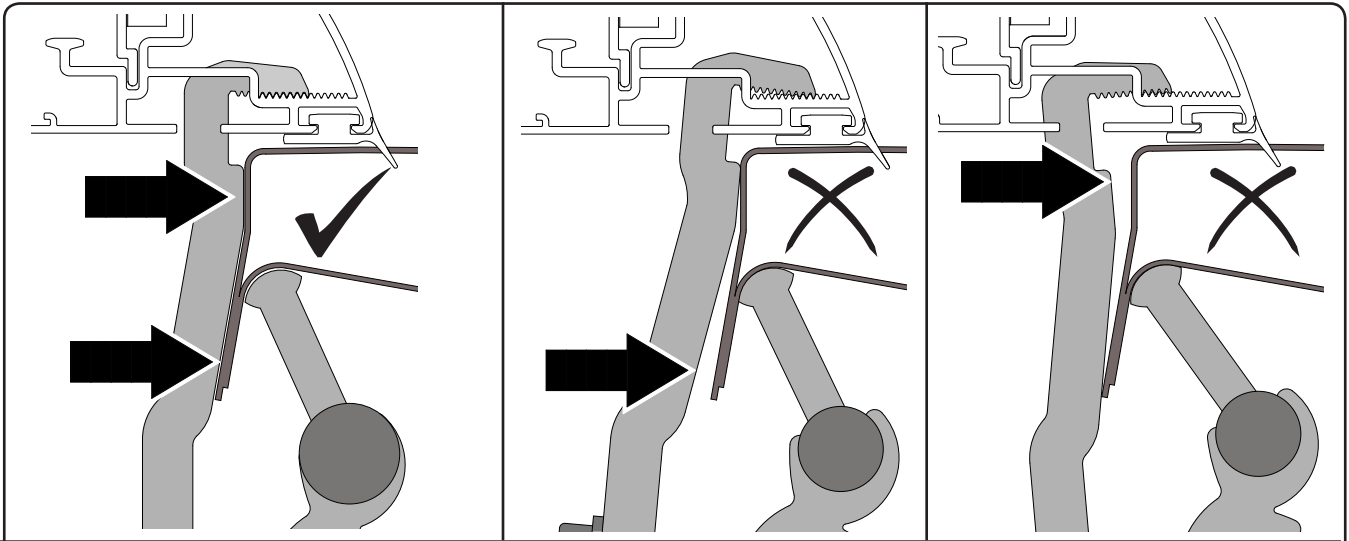
Mountain Top Roll with Tailgate hook
Installation Instructions



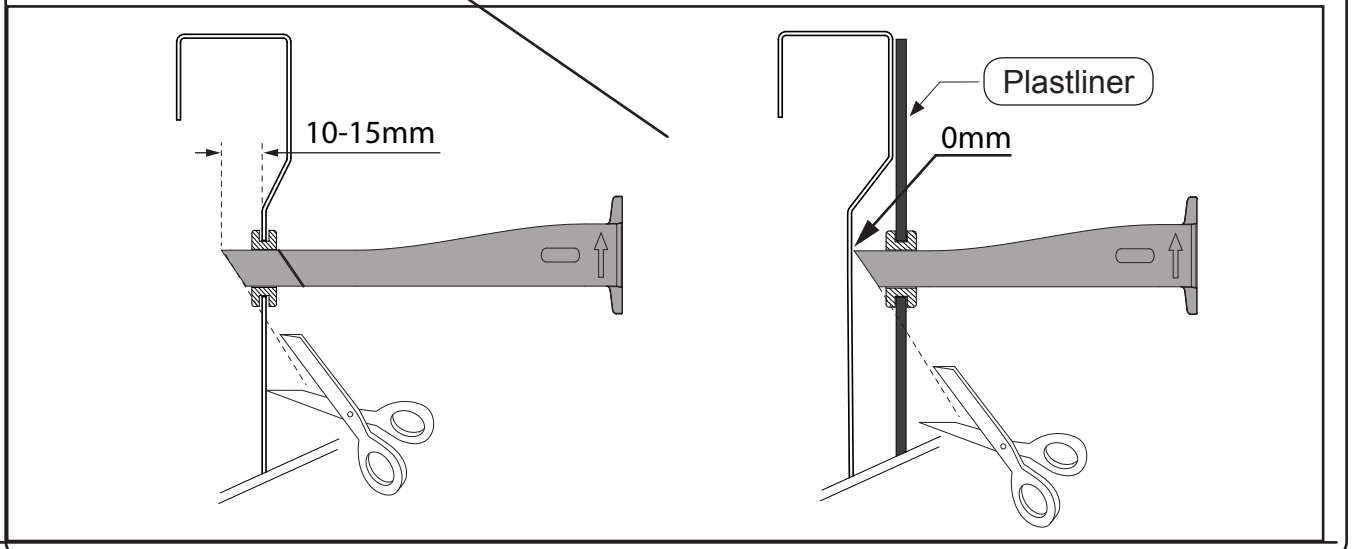
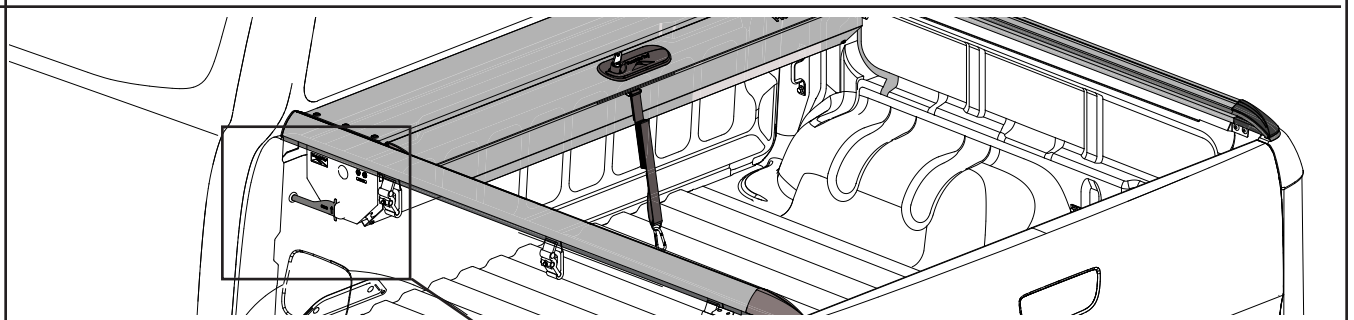
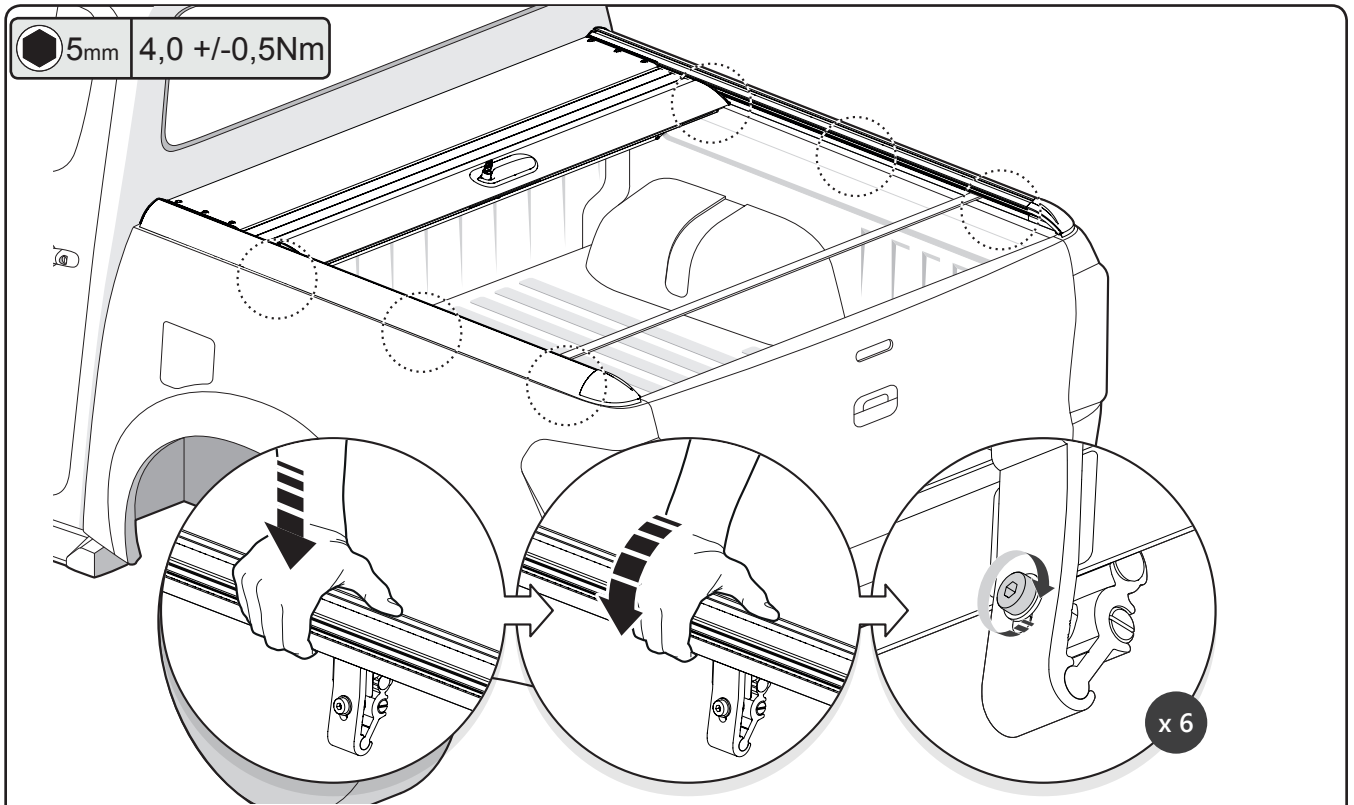
Mountain Top Roll with Tailgate hook
Installation Instructions



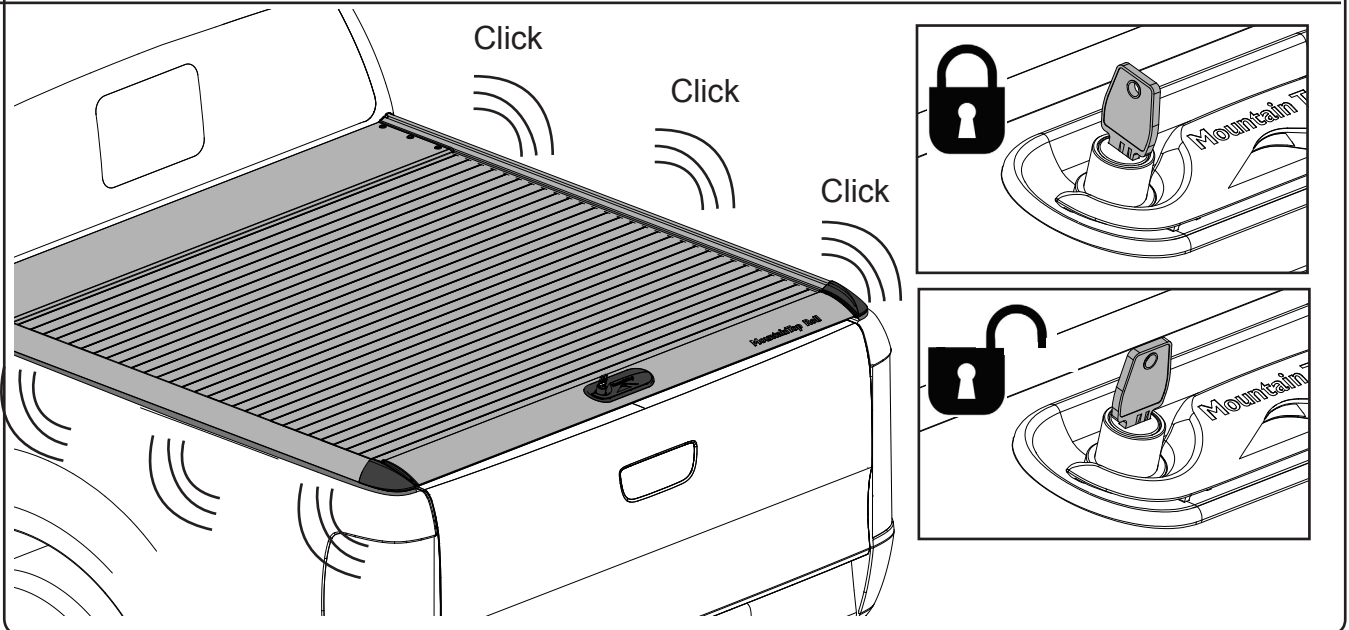
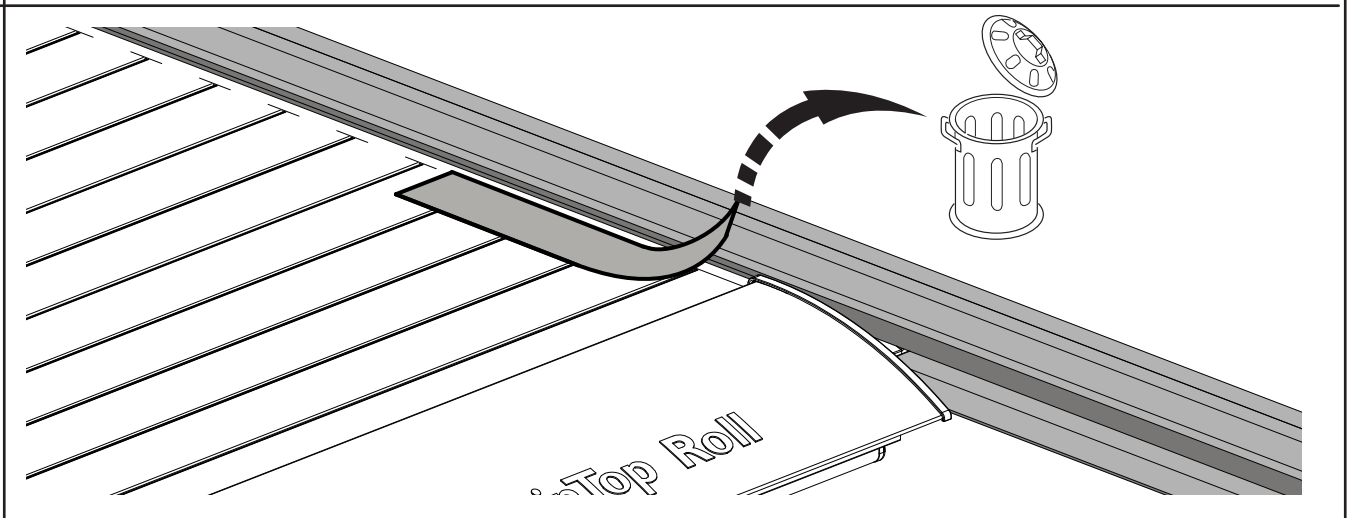
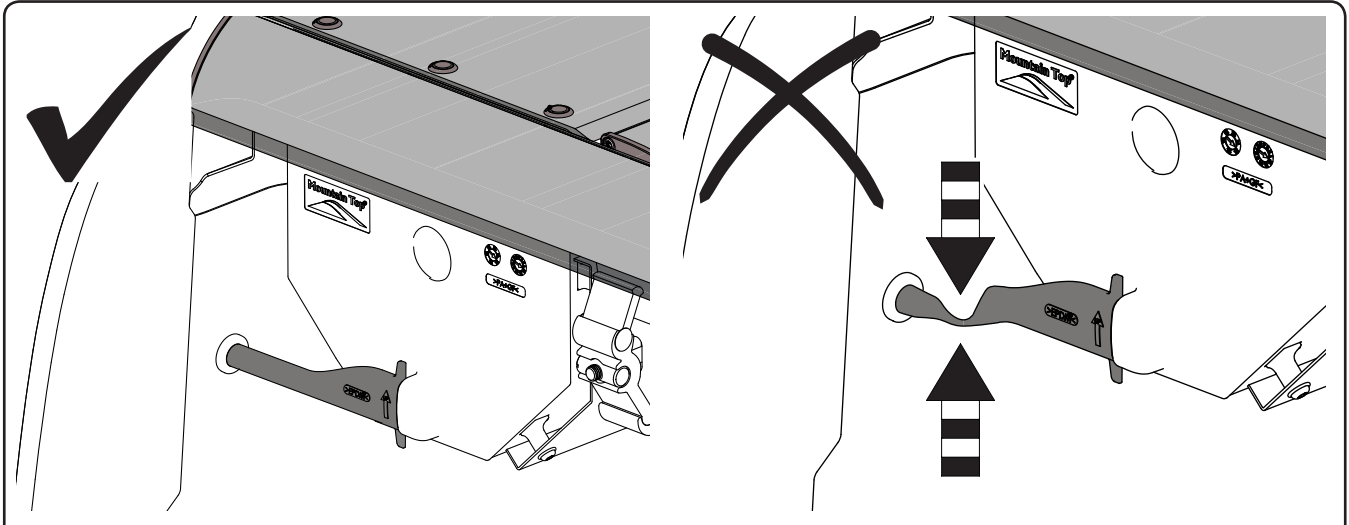
Mountain Top Roll with Tailgate hook
Installation Instructions



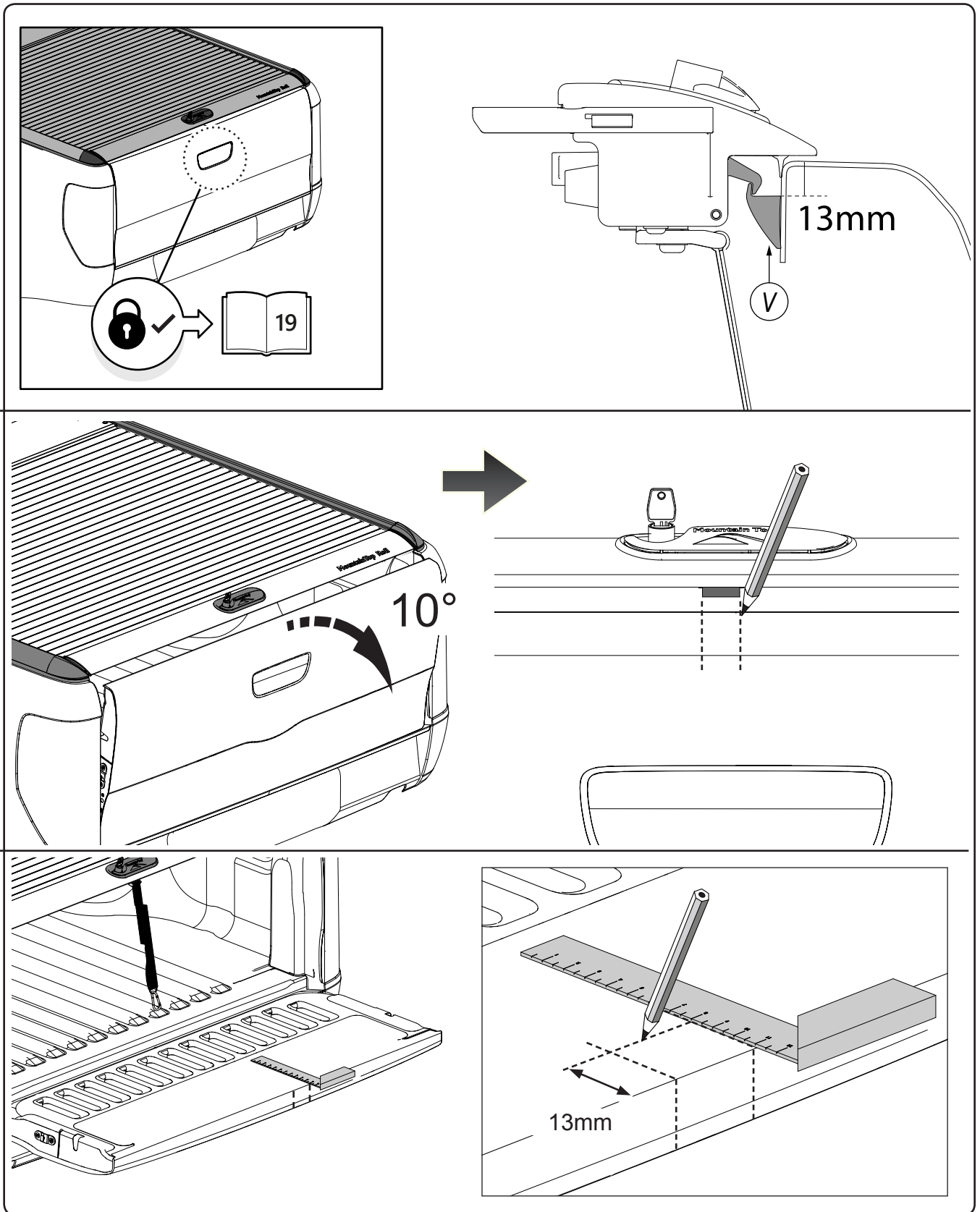
Mountain Top Roll with Tailgate hook
Installation Instructions



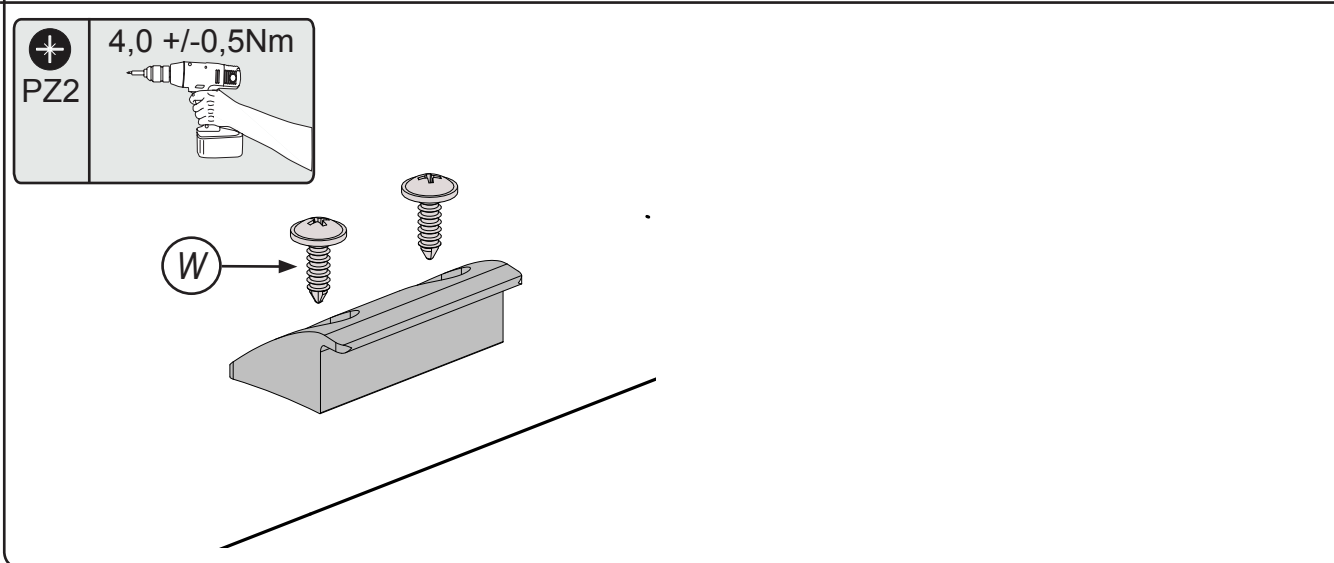
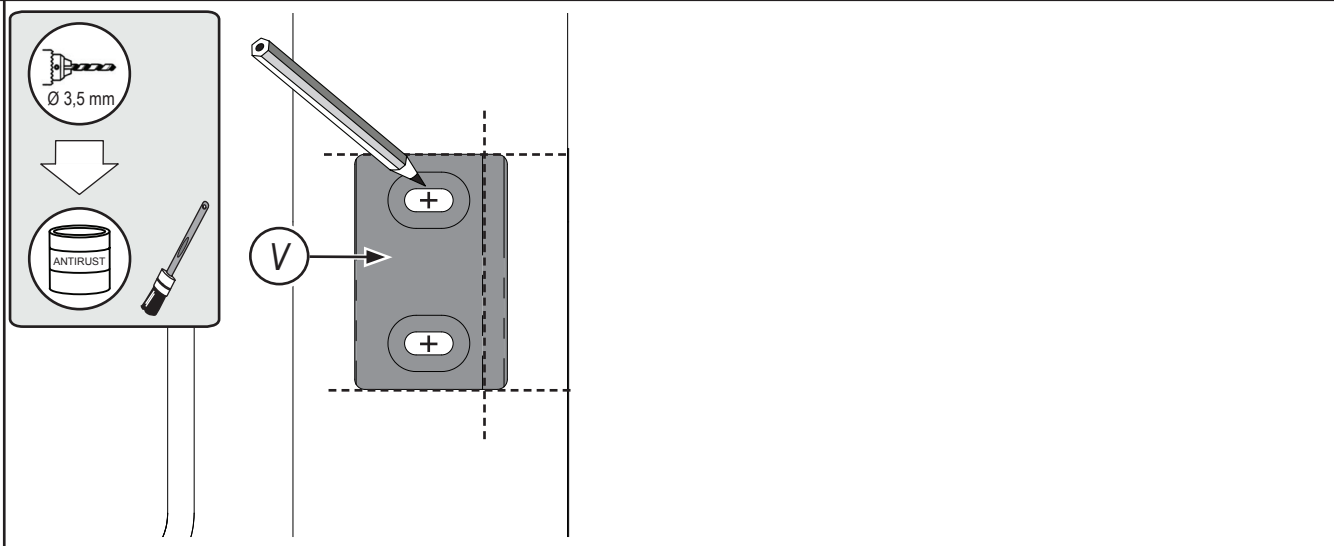
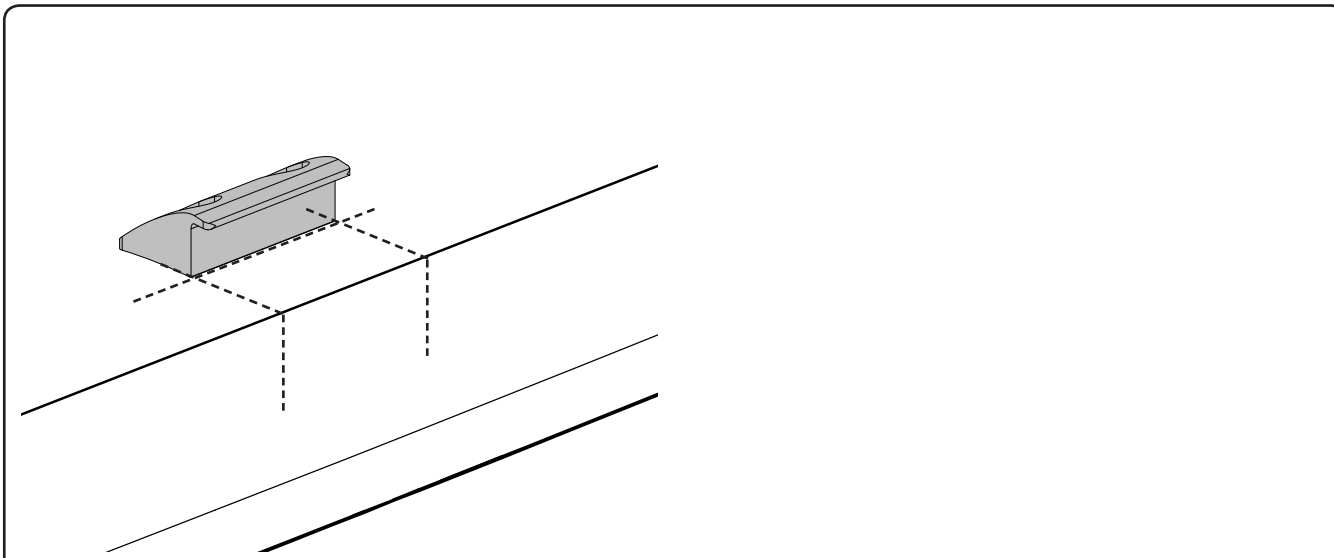
Mountain Top Roll with Tailgate hook
Installation Instructions



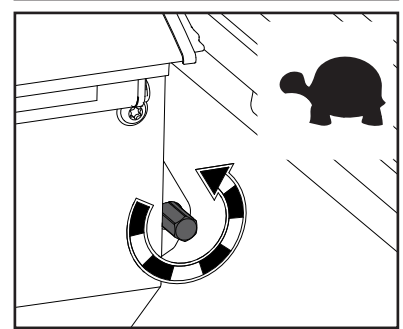
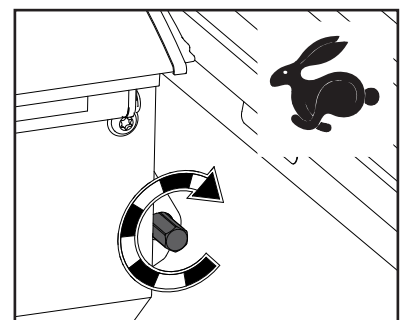
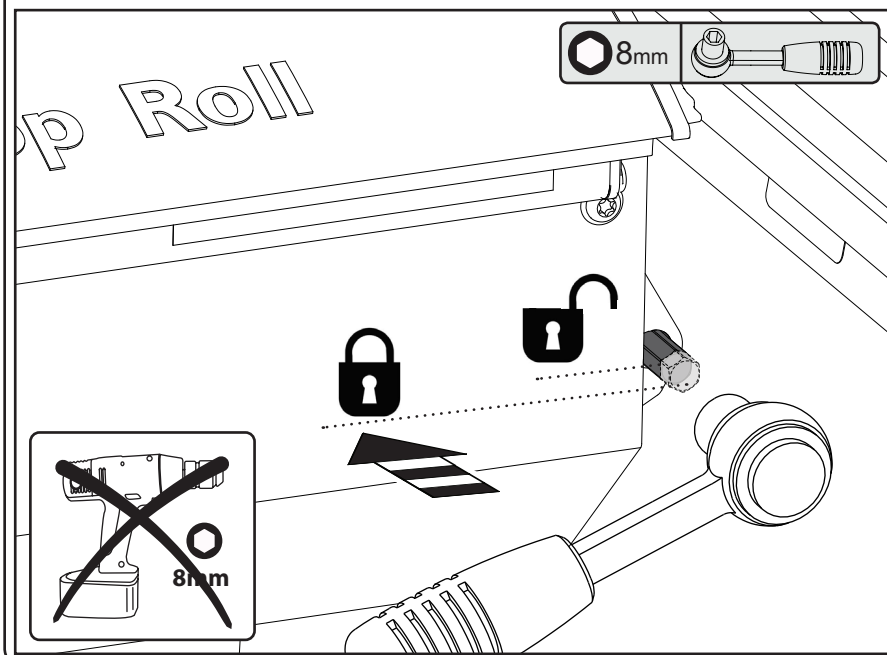
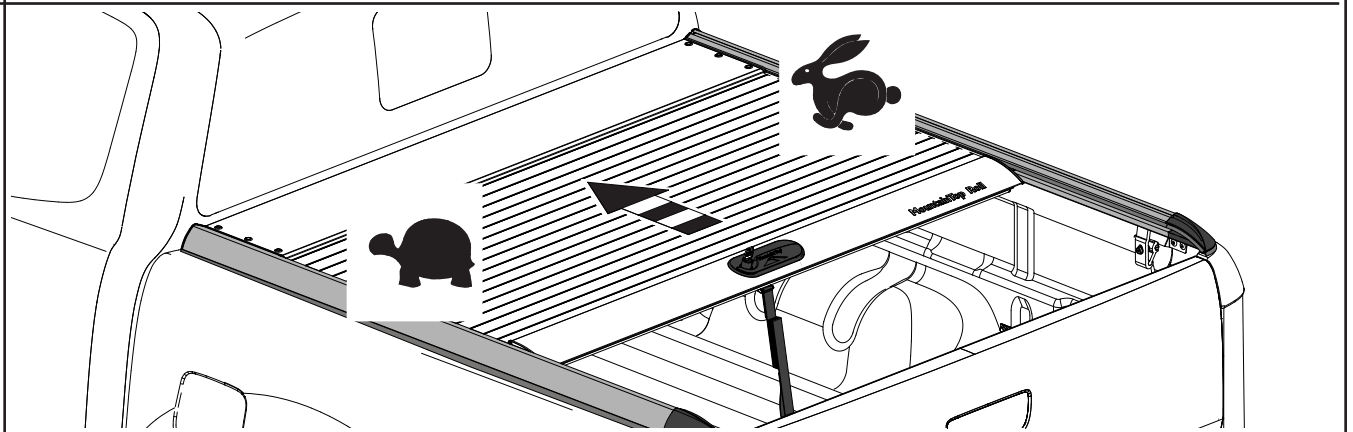
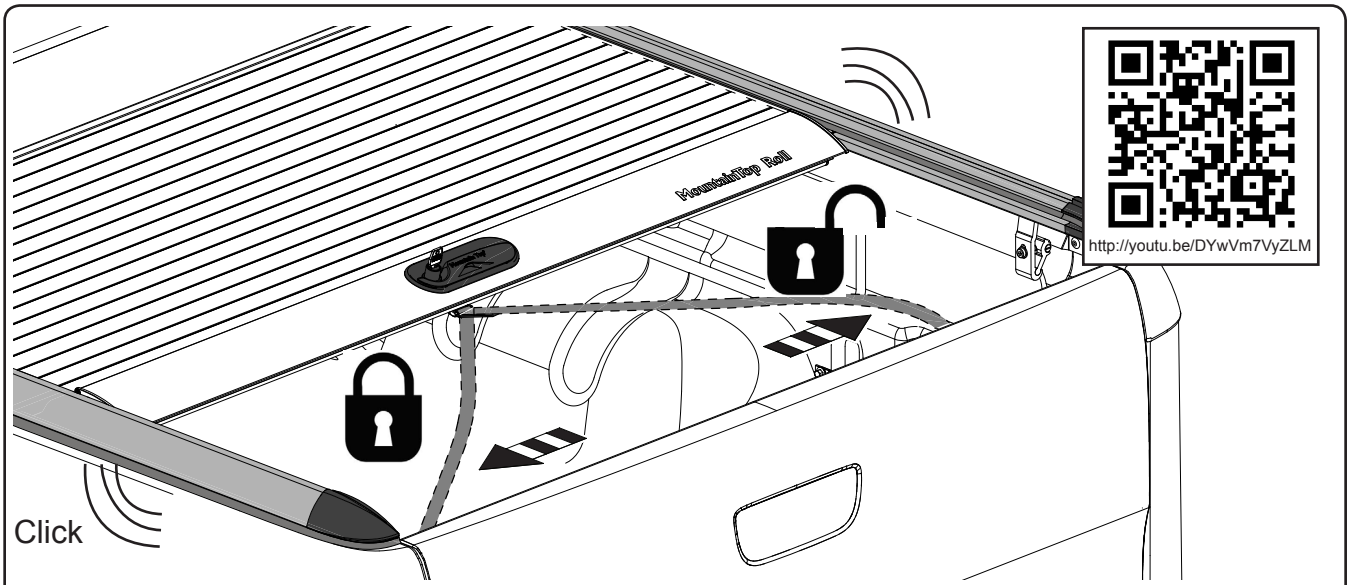
Mountain Top Roll with Tailgate hook
Installation Instructions



Mountain Top Roll with Tailgate hook
Installation Instructions



Mountain Top Roll with Tailgate hook
Installation Instructions



Mountain Top Roll with Tailgate hook Installation Instructions

